

LEXIA THERMOSTATIC SHOWER SYSTEM WITH 3 BODY SPRAYS AND HAND SHOWER

SKU: 953782

Code: SHLE9009,SH6006,SHRSA122,SHRSB820RG,SHHS4030G,SHH1010,SHWES2050,SHLE9005,SH6103,SHLE9007,SH6040,SHBS6010E



ASME A112.18.1/CSA B125.1
ASSE 1016 Type T
ICC/ANSI A117.1
CEC Listed



FEATURES

Features: Rough-In Included; Hand Shower Included
Material: Metal
Assembly Required: Yes
Shape: Round
Handle Type: Lever
Body Spray Flow Rate: 2.5 gpm (9.5 L/min) @ 80 psi
Body Sprays: Yes
Number of Body Sprays: 3
Shower Head Installation Type: Wall
Number of Shower Heads: 1
Shower Head Diameter: 7-7/8"
Shower Head Material: ABS
Shower Head Spray: Rainfall
Shower Arm Included: Yes
Shower Arm Extension: 12-3/8"
Shower Arm Height: 5-3/8"
Shower Head IPS: 1/2"
Shower Head Swivel: Yes
Hand Shower Length: 8-7/8"
Hand Shower Hose Length: 60"
Hand Shower Material: ABS
Hand Shower Flow Rate: 1.8 gpm (6.8 L/min) @ 80 psi
Diverter Included: Yes
Diverter Outlets: 3
Shower Head Flow Rate: 1.8 gpm (6.8 L/min) @ 80 psi

REVISED 10/21/2022

LEXIA THERMOSTATIC SHOWER SYSTEM WITH 3 BODY SPRAYS AND HAND SHOWER

SKU: 953782

Code: SHLE9009,SH6006,SHRSA122,SHRSB820RG,SHHS4030G,SHH1010,SHWES2050,SHLE9005,SH6103,SHLE9007,SH6040,SHBS6010E



ADDITIONAL FEATURES

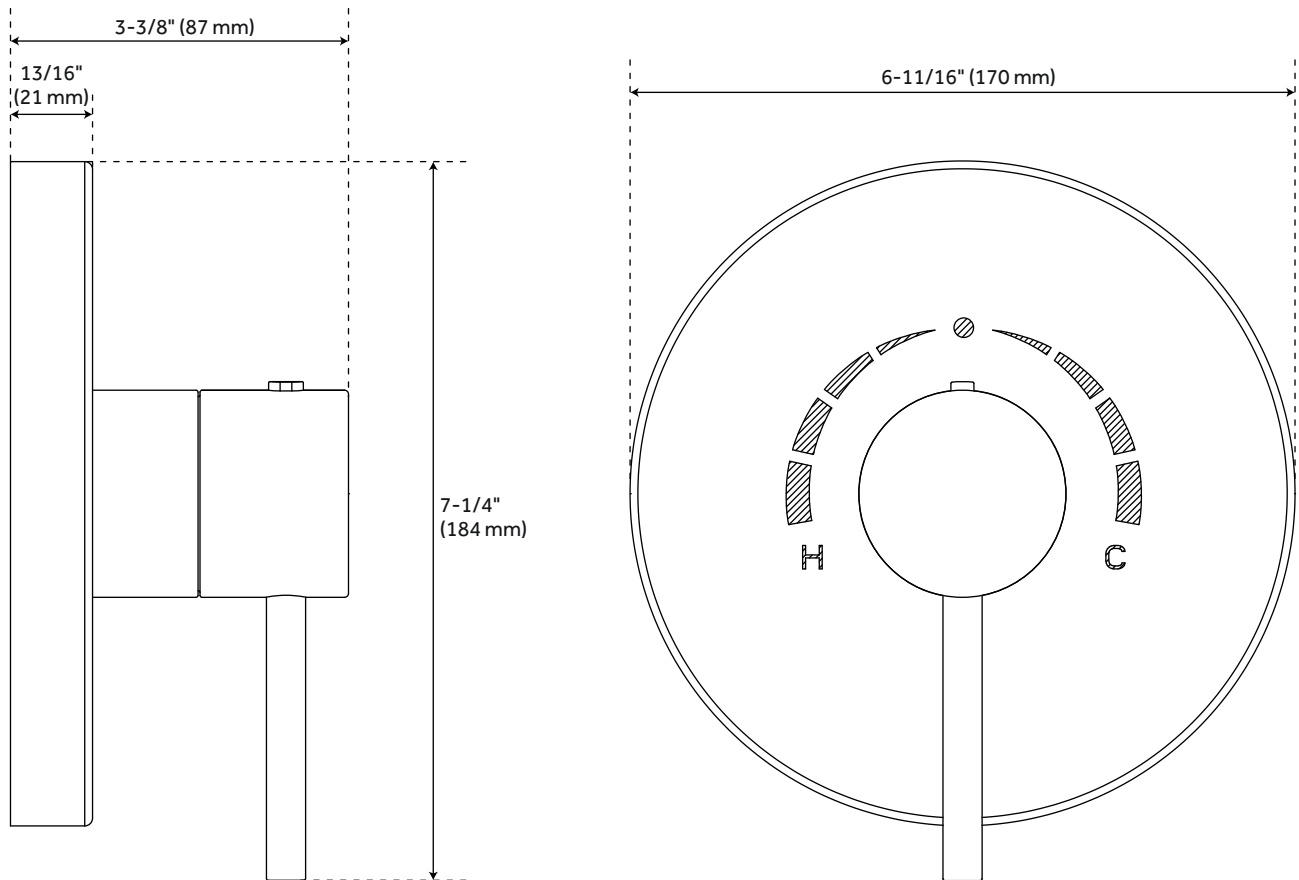
- Thermostatic technology keeps shower temperature within 1 degree Celsius.
- Temperature outlet factory calibrated to 104 degrees Fahrenheit and can be easily adjusted up or down to user's comfort level.
- Six total settings allow for shared water flow between outlets, giving you the ability to use two functions at once.
- Metal handles.
- Single function shower head (full spray) with easy-clean silicone nozzles.
- Single function hand shower.
- 60" - 72" stretchable metal shower hose.
- Adjustable angle for hand shower mount.
- Body spray jet swivels with a 3-9/16" surface area.
- Body spray flow rate: 2.5 gpm (9.5L/min) max @ 80 psi.
- Must be installed in accordance with provided installation instructions.
- Recommended valve installation depth 1-5/8" to 2-3/8"
- Included Rough-in valves:
 - Thermostatic rough-in valve features scald guard protection, high temperature limit stop, integral water stops and check valve, a ceramic cartridge, and a bronze valve body.
 - Volume control rough-in valve features a ceramic disc cartridge and brass valve body.
 - Diverter valve features a ceramic disc cartridge and brass valve body. An available Single-Function Diverter valve Cartridge restricts water flow to one outlet at a time.

REVISED 10/21/2022

LEXIA THERMOSTATIC SHOWER VALVE TRIM

SKU: 953782

SHLE9009

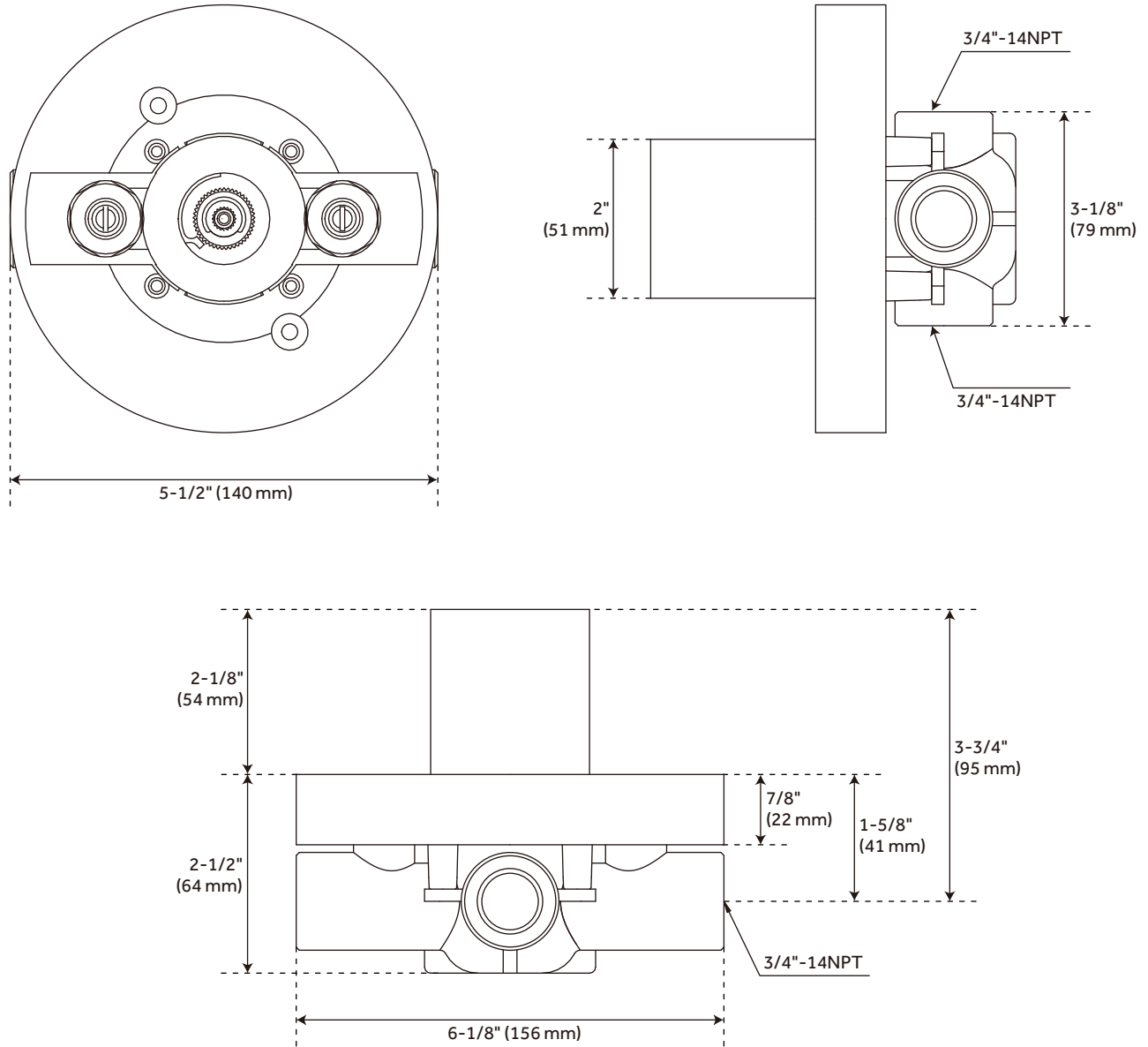


All dimensions and specifications are nominal and may vary. Use actual products for accuracy in critical situations.

LEXIA THERMOSTATIC SHOWER ROUGH-IN VALVE

SKU: 953782

SH6006

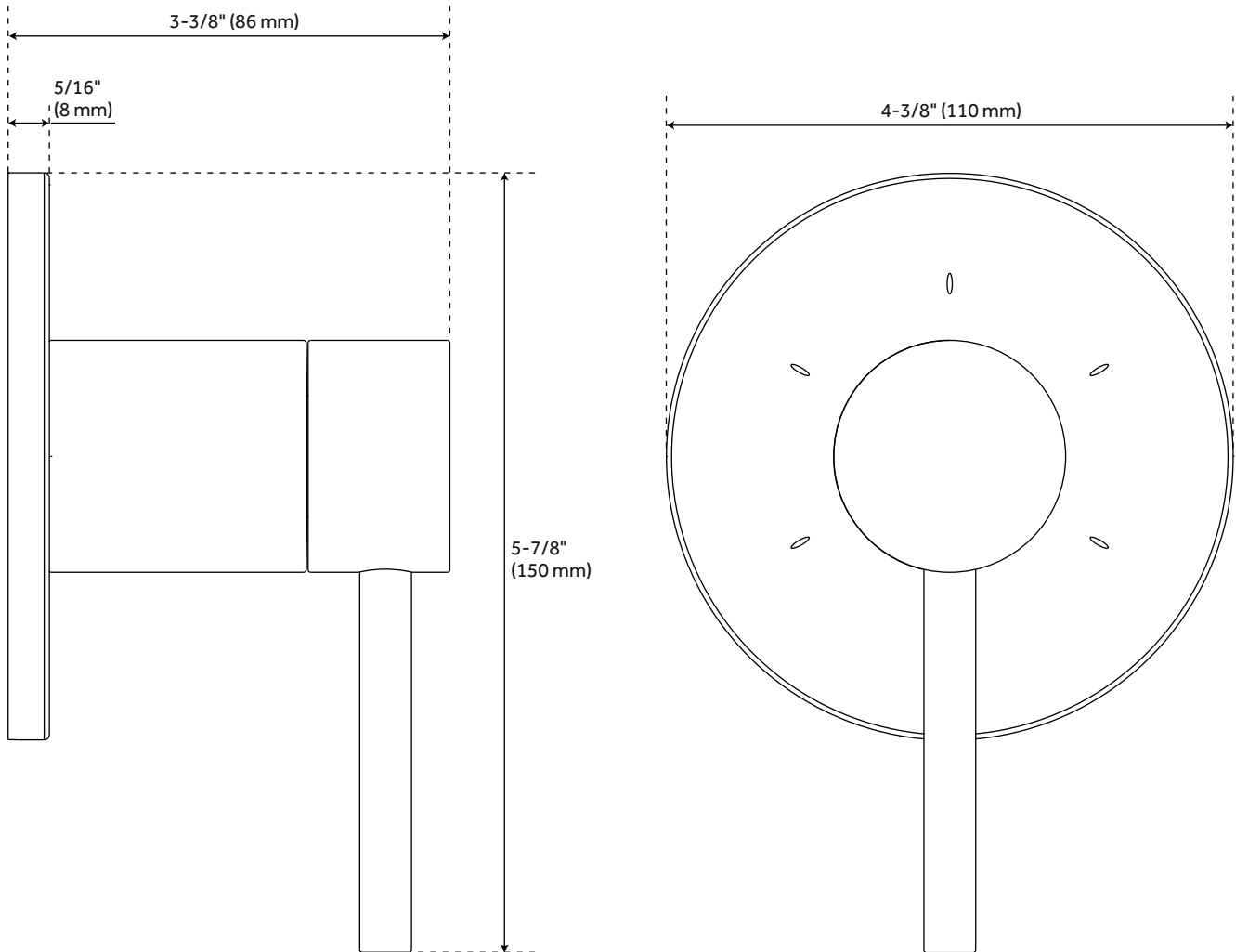


All dimensions and specifications are nominal and may vary. Use actual products for accuracy in critical situations.

LEXIA 3-WAY IN-WALL SHOWER DIVERTER

SKU: 953782

SHLE9005

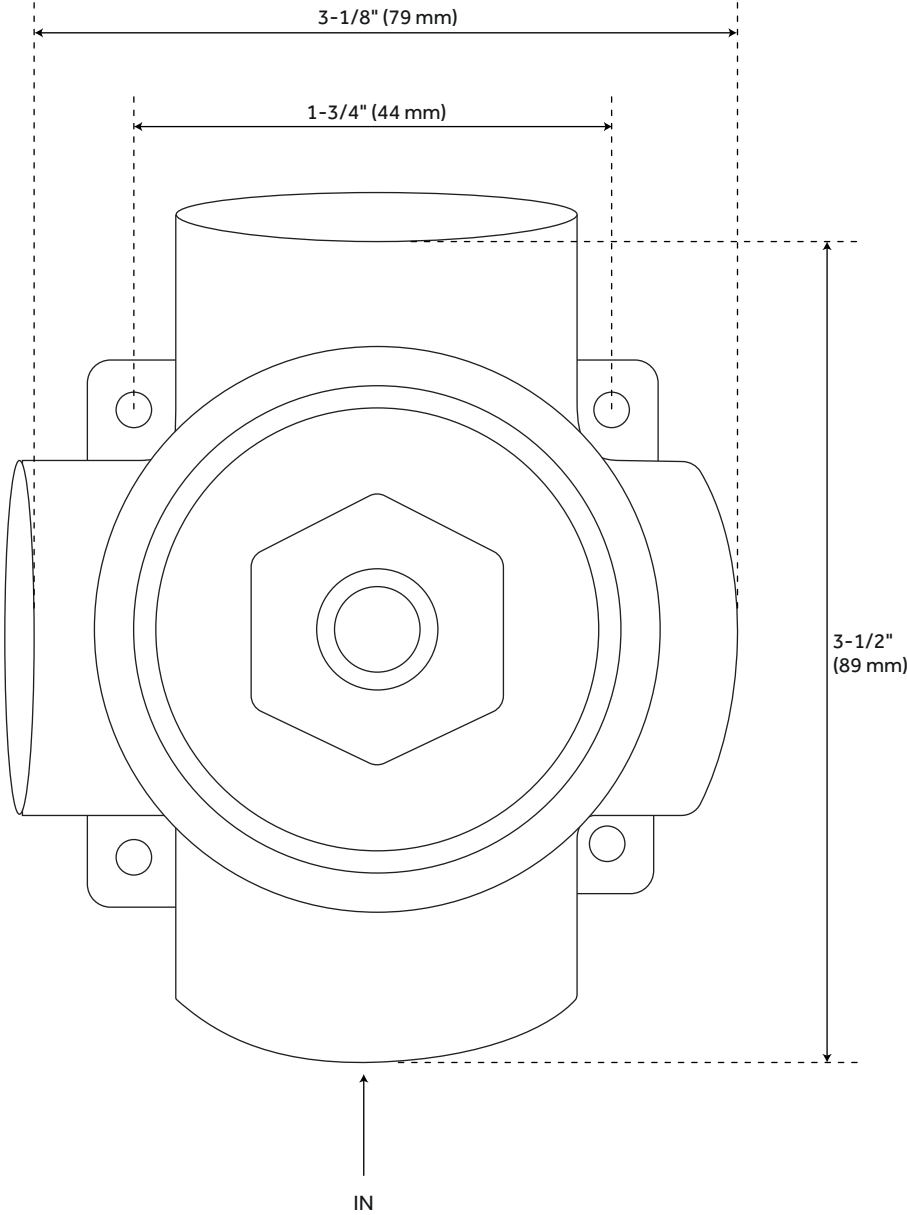


All dimensions and specifications are nominal and may vary. Use actual products for accuracy in critical situations.

LEXIA DIVERTER ROUGH-IN VALVE

SKU: 953782

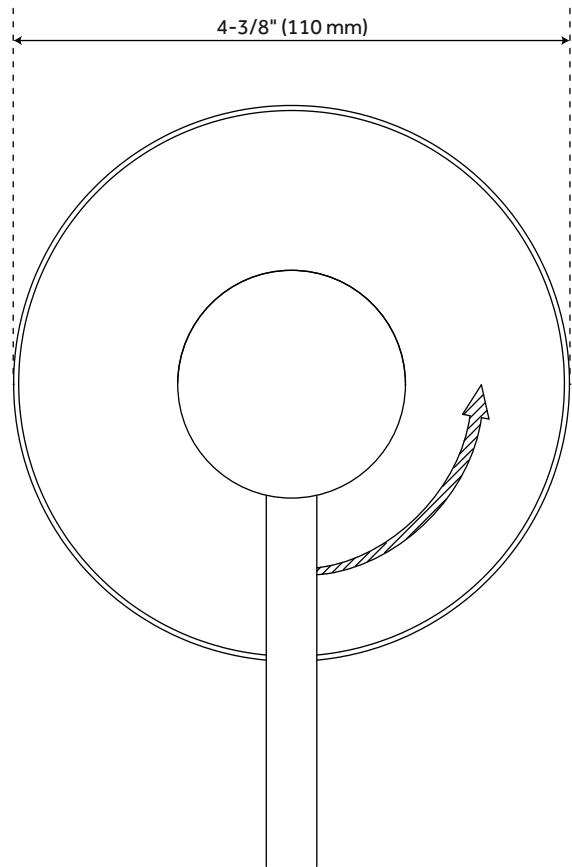
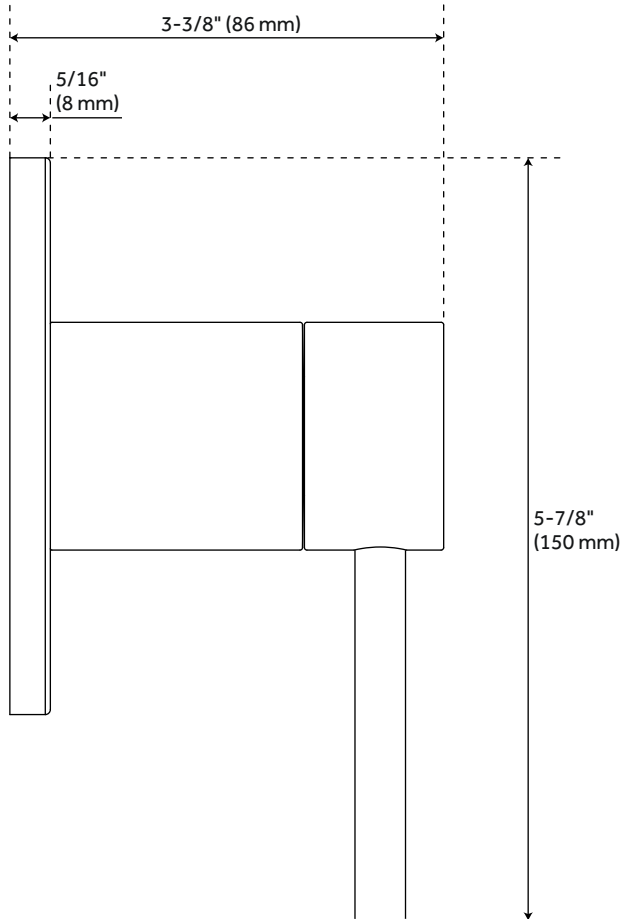
SH6103



All dimensions and specifications are nominal and may vary. Use actual products for accuracy in critical situations.

LEXIA IN-WALL SHOWER VOLUME CONTROL TRIM

SKU: 953782
SHLE9007

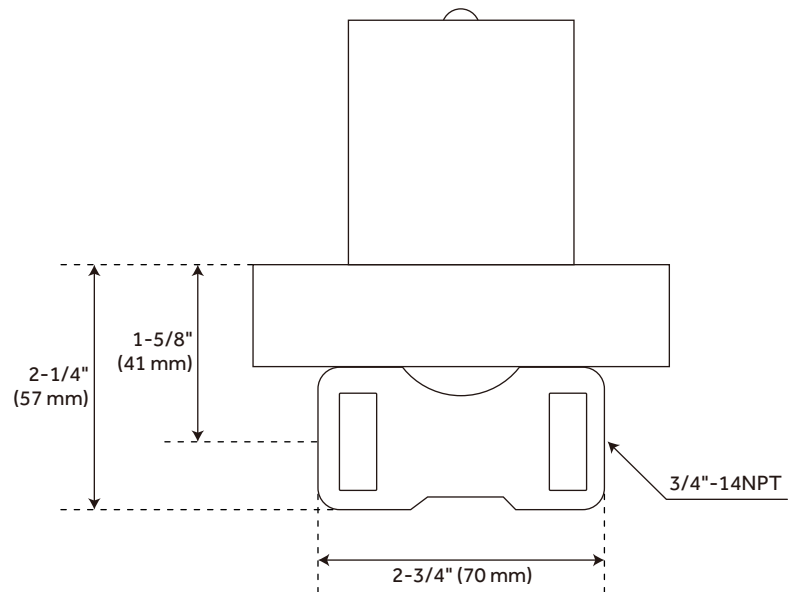
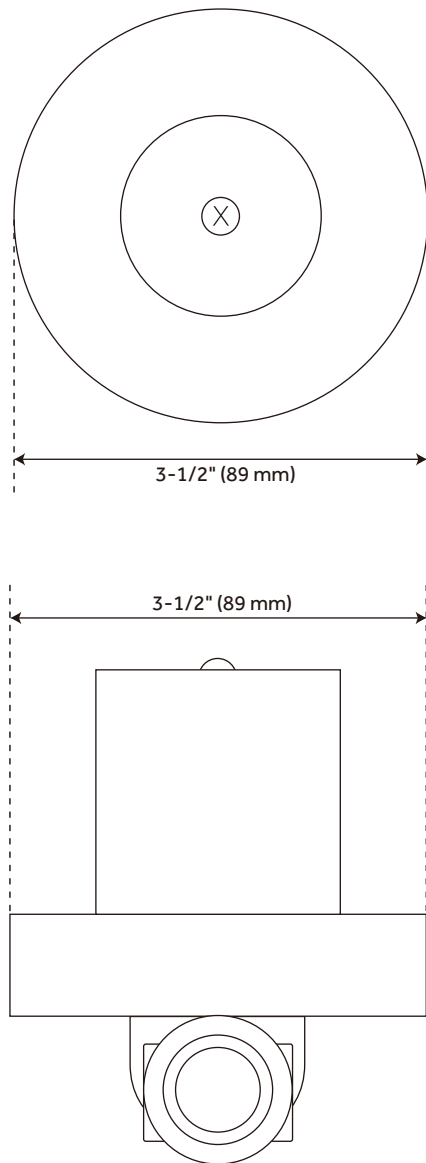


All dimensions and specifications are nominal and may vary. Use actual products for accuracy in critical situations.

LEXIA VOLUME CONTROL ROUGH-IN VALVE

SKU: 953782

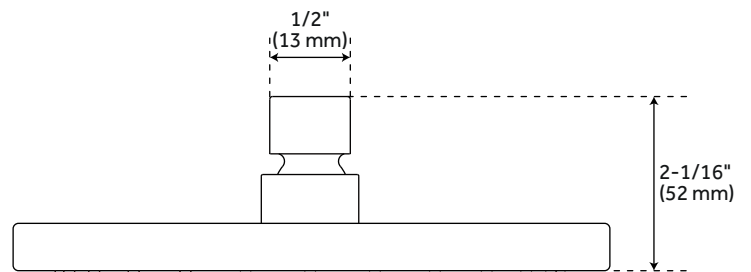
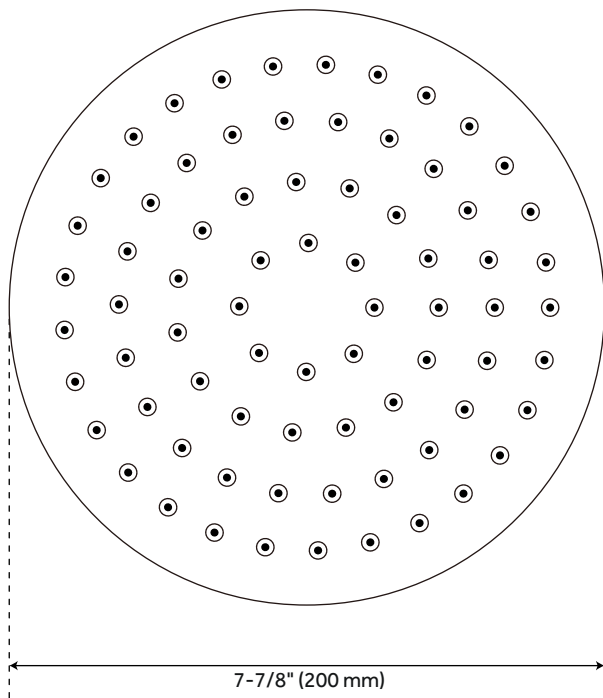
SH6040



All dimensions and specifications are nominal and may vary. Use actual products for accuracy in critical situations.

LEXIA WALL-MOUNT SHOWER HEAD

SKU: 953782
SHRSB820RG

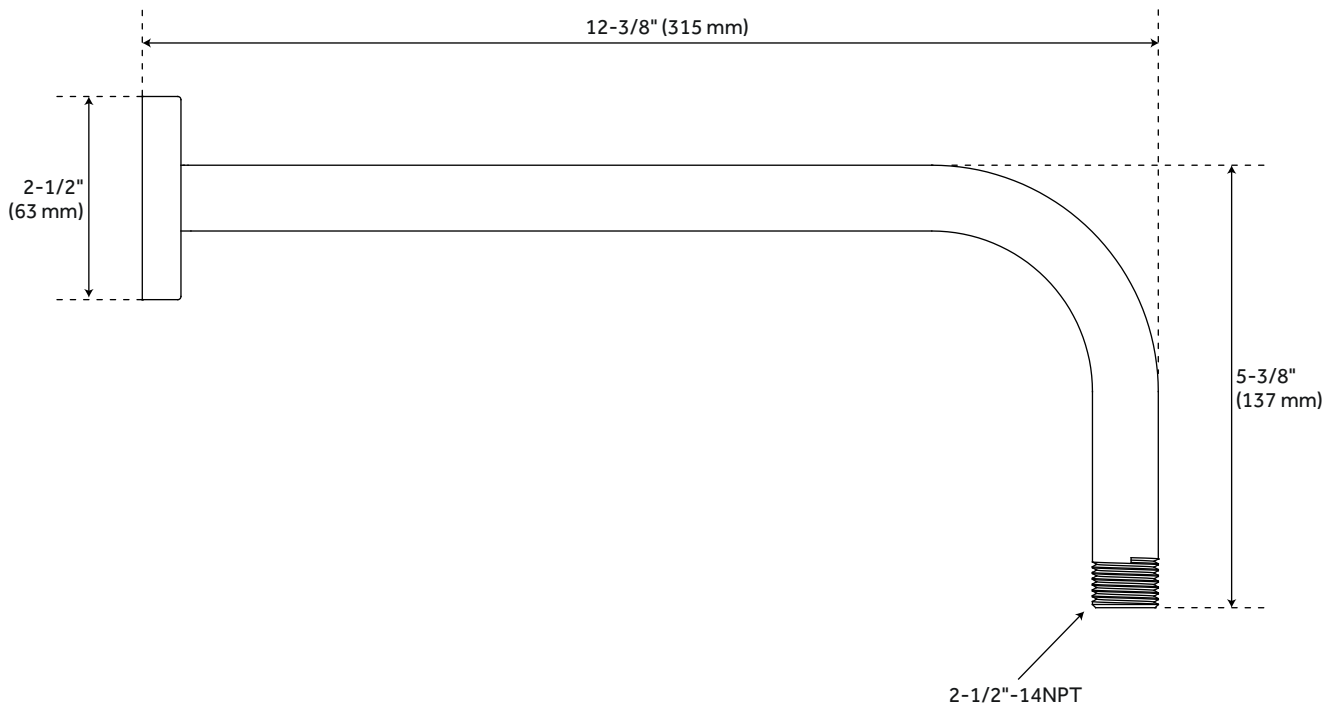


All dimensions and specifications are nominal and may vary. Use actual products for accuracy in critical situations.

LEXIA WALL-MOUNT SHOWER ARM

SKU: 953782

SHRSA122

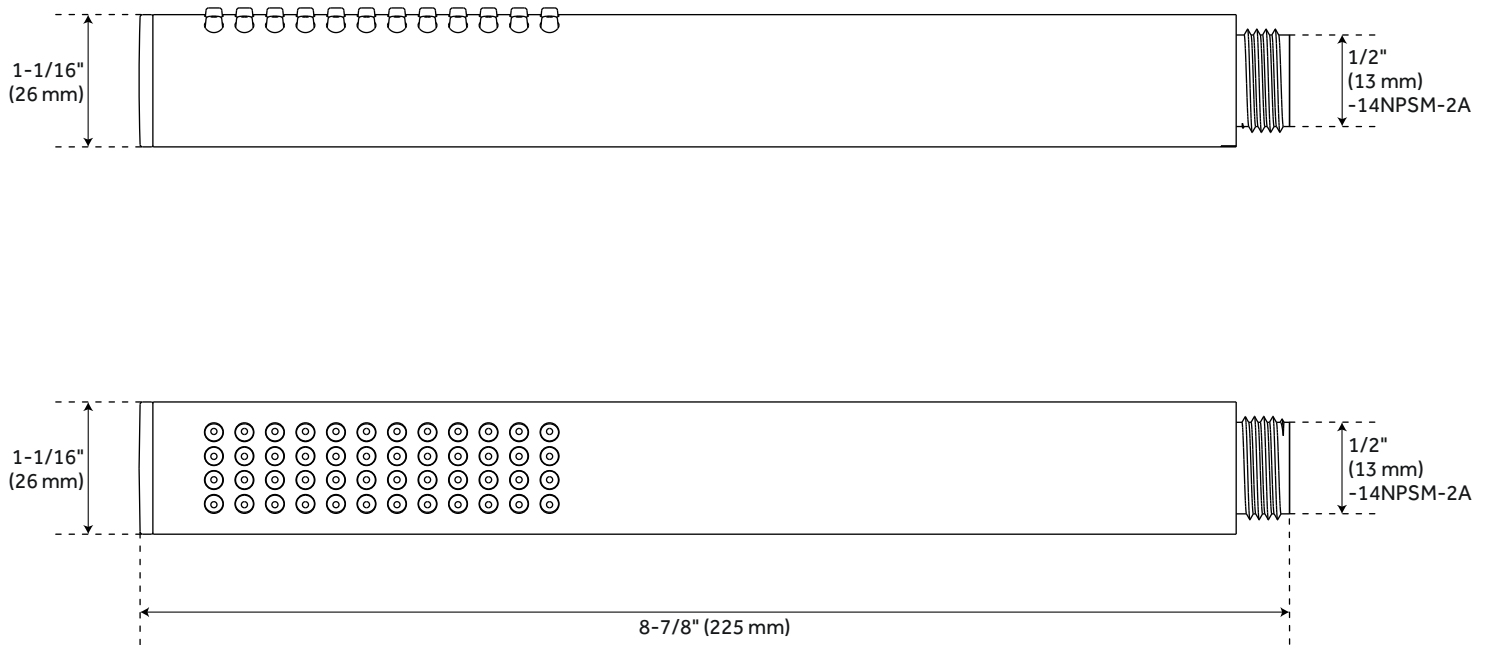


All dimensions and specifications are nominal and may vary. Use actual products for accuracy in critical situations.

LEXIA HAND SHOWER

SKU: 953782

SHHS4030G, SHHS4030GZ

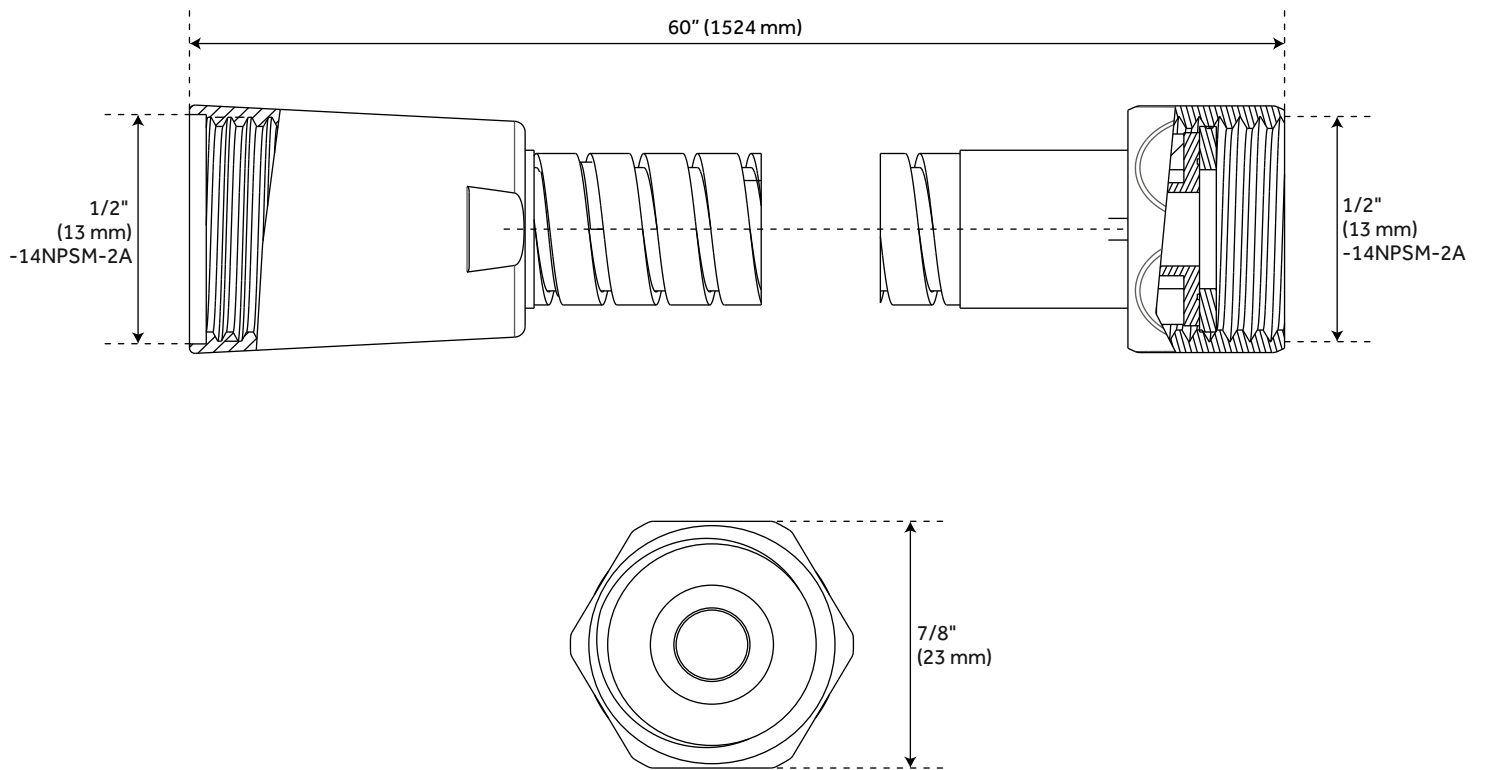


All dimensions and specifications are nominal and may vary. Use actual products for accuracy in critical situations.

LEXIA HAND SHOWER HOSE

SKU: 953782

SHH1010

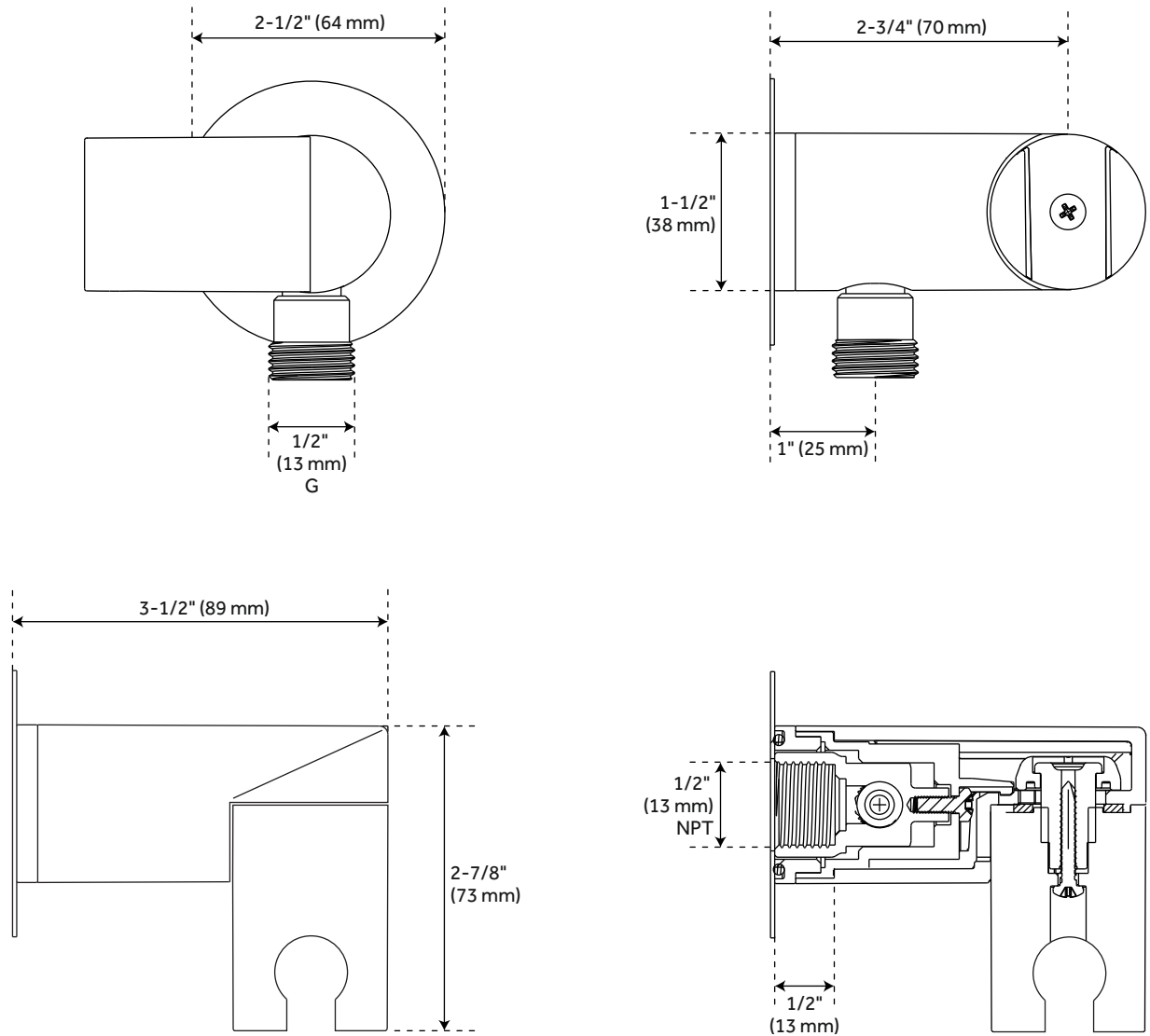


All dimensions and specifications are nominal and may vary. Use actual products for accuracy in critical situations.

LEXIA SWIVEL WATER SUPPLY ELBOW AND BRACKET

SKU: 953782

SHWES2050

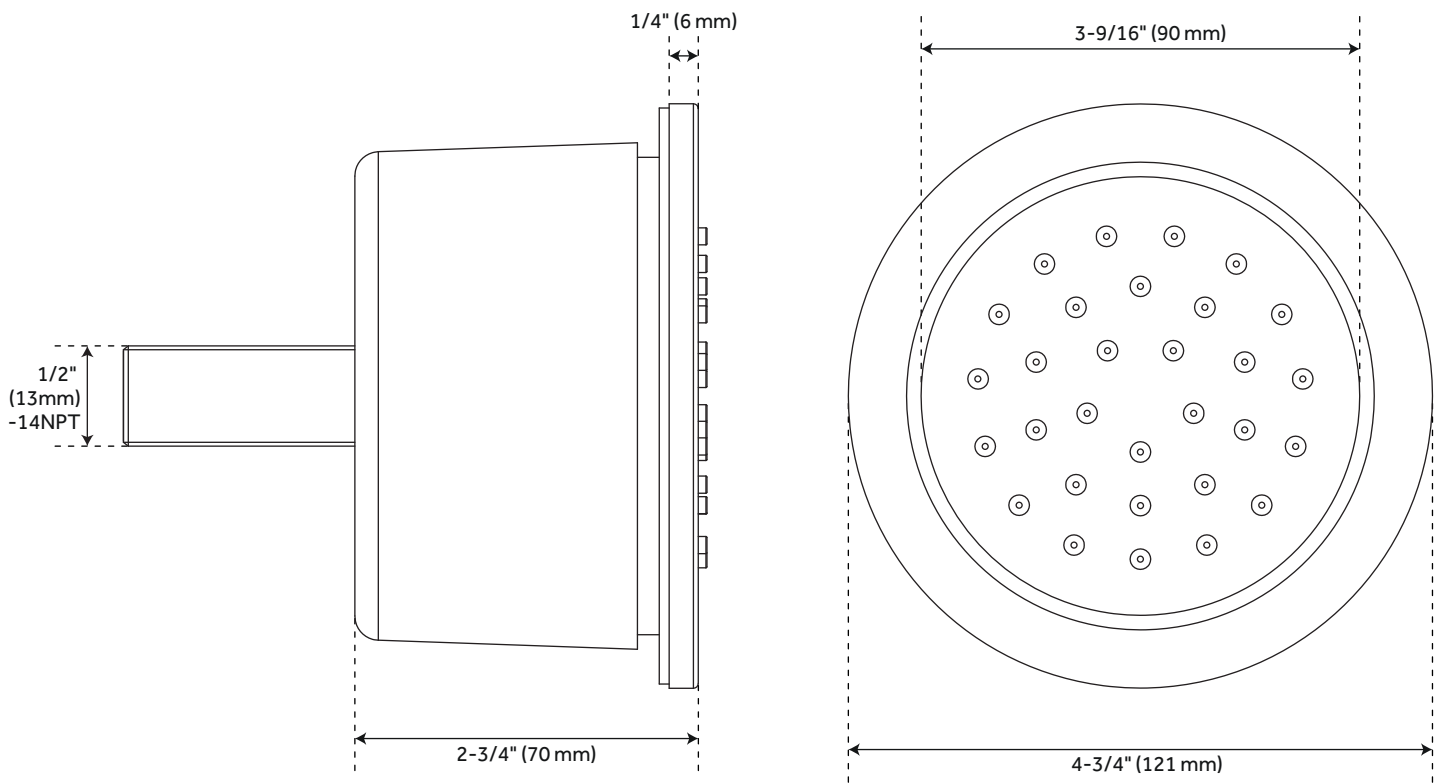


All dimensions and specifications are nominal and may vary. Use actual products for accuracy in critical situations.

LEXIA BODY SPRAY

SKU: 953782

SHBS6010E



All dimensions and specifications are nominal and may vary. Use actual products for accuracy in critical situations.